

JBL

MultiMedia Series Loudspeakers

Media 100 Media 200

(230V)



From the world's premier movie houses, concert stages and recording studios to a PC near you – legendary, high-performance JBL sound that audio professionals have relied on for more than fifty years.

thank you for choosing JBL. For over 50 years, JBL has been involved in every aspect of musical and film recording and reproduction, from live performances to monitoring the recordings you play in your home, car or office.

We're confident that the **JBL loudspeakers** you have chosen will provide every note of enjoyment that you expected – and that when you think about purchasing additional audio equipment for your home, car or office, you will once again choose JBL.

Please take a moment to complete the enclosed profile card. It enables us to keep you posted on our latest advancements, and helps us to better understand our customers and to build products that meet their needs and expectations.

JBL Consumer Products

Declaration of Conformity



Shim, JSC. Suway A.S.
C/o: gsm, per. 1018
C/O: JSC. Suway A.S.
C/O: JSC. Suway A.S.

Declaring in full responsibility, that the products described
in this notice (to be used) are in conformance with the following
standards:

EN 60335-1:2006

EN 60335-2-10:2006

EN 60335-2-11:2006

EN 60335-2-12:2006

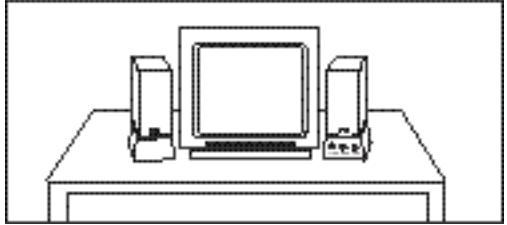
EN 60335-2-13:2006



Shim, JSC. Suway A.S.
C/o: gsm, per. 1018
C/O: JSC. Suway A.S.

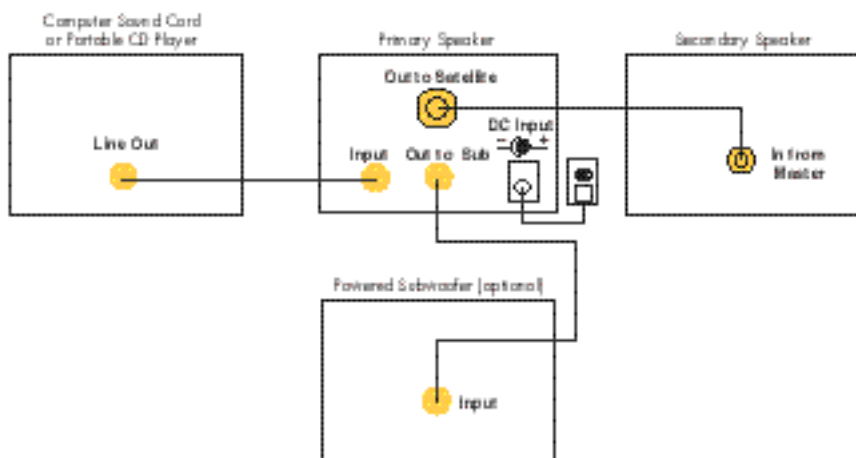
1. Placement

For optimum performance and stereo imaging, slightly angle the speakers toward the listening position.

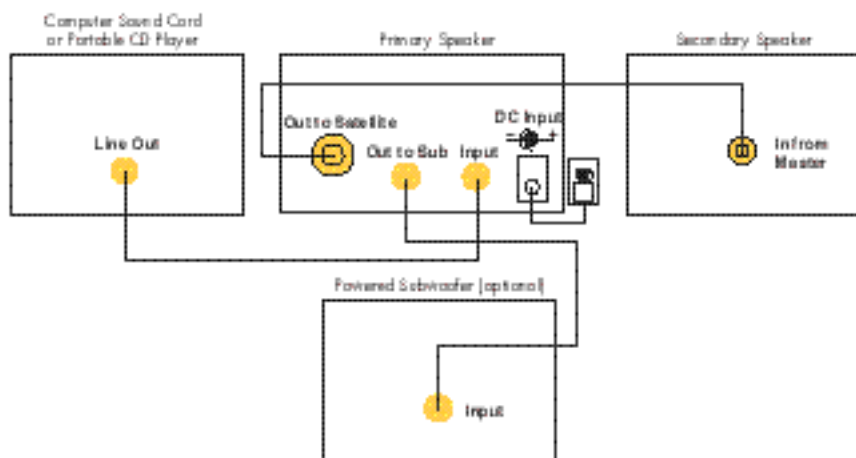


2. Connections

Media 100



Media 200



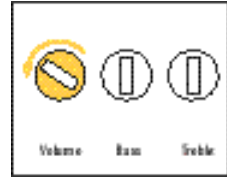
3. Operation

Media 200

Volume:

To raise the volume level, rotate the *volume* knob clockwise.

To lower the volume level, rotate the *volume* knob counterclockwise.



Bass:

To raise the bass level, rotate the *bass* knob clockwise.

To lower the bass level, rotate the *bass* knob counterclockwise.



Treble:

To raise the treble level, rotate the *treble* knob clockwise.

To lower the treble level, rotate the *treble* knob counterclockwise.



Media 100

Volume:

To raise the volume level, rotate the *volume* knob clockwise.

To lower the volume level, rotate the *volume* knob counterclockwise.



Tone:

Turning the tone control clockwise will slightly increase the bass sounds while slightly decreasing the high-frequency sounds.

Turning the tone control counterclockwise will slightly increase the high-frequency sounds while slightly decreasing the bass sounds.



Auto turn-on/turn-off

Media 100 and Media 200 feature an automatic turn-on/turn-off feature. They will turn off when the source equipment (computer or CD player) has no sound output for approximately twenty minutes and immediately turn back on when a signal is present.

4. Specifications

Media 100

Maximum Amplifier Output:
6 watts/channel @ 1% THD

Frequency Response:
75Hz – 20kHz

Input Sensitivity: 3V maximum

Input Impedance: 2.5k ohms

Signal Input Jack:
Stereo mini-connector (1/8")

Subwoofer Output Jack:
Stereo mini-connector (1/8")

Low-Frequency Driver: 3"

High-Frequency Driver: 1"

Dimensions (H x W x D):
7-5/8 x 3-1/2 x 5-3/4"
194 x 89 x 146mm

Weight:
0.75 lbs/0.34 kgs – main
0.65 lbs/0.30 kgs – secondary

Media 200

Maximum Amplifier Output:
10 watts @ 1% THD

Frequency Response:
60Hz – 20kHz

Input Sensitivity: 3V maximum

Input Impedance: 5k ohms

Signal Input Jack:
Stereo mini-connector (1/8")

Subwoofer Output Jack:
Stereo mini-connector (1/8")

Low-Frequency Driver: 4"

High-Frequency Driver: 1"

Dimensions (H x W x D):
10-1/2 x 5-1/4 x 8"
267 x 133 x 203mm

Weight:
1.5 lbs/0.68 kgs – main
0.82 lbs/0.37 kgs – secondary




JBL Consumer Products

80 Crossways Park West, Woodbury, NY 11797

8500 Balboa Boulevard, Northridge, CA 91329

© 1997 JBL, Incorporated. JBL is a registered trademark of JBL, Incorporated.

Printed in USA 11/97  Part No. MED100/200230VOM

 A Harman International Company

